

LEGEND:

- CENTER LINE
- CHAIN LINK FENCE
- IRON FENCE
- PROPERTY LINE
- PARCEL LINE
- BLOCK WALL
- RETAINING WALL
- WOODEN FENCE
- CONCRETE
- GAS METER
- GUY WIRE
- FIRE HYDRANT
- TREE
- PINE TREE
- CYPRESS TREE
- POWER POLE
- SANITARY SEWER MANHOLE
- STREET SIGN
- WATER METER
- WATER VALVE
- ASPHALTIC CONCRETE
- ANPT
- BC
- BEG
- CONCL
- CL
- CNR
- DRWY
- EG
- FH
- FNC
- FNCWDM
- FD
- FL
- MLTRNK
- NG
- POC
- POL
- TC
- TRW

NOTES:

A. IN PROVIDING THIS SURVEY NO ATTEMPT HAS BEEN MADE TO OBTAIN OR SHOW DATA CONCERNING EXISTENCE, SIZE, DEPTH, CONDITION, CAPACITY OR LOCATION OF ANY UTILITY EXISTED ON THE SITE, WHETHER PRIVATE, MUNICIPAL OR PUBLIC OWNED.

B. NO ABSTRACT OF TITLE, NOR TITLE COMMITMENT, OR RESULTS OF A TITLE SEARCH WERE FURNISHED TO THE SURVEYOR. ALL DOCUMENTS OF RECORD REVIEWED ARE NOTED HEREON. THERE MAY EXIST OTHER DOCUMENTS OF RECORD THAT MAY AFFECT THIS SURVEYED PARCEL OF LAND.

C. THE PROFESSIONAL SURVEYOR HAS MADE NO INVESTIGATION OR INDEPENDENT SEARCH FOR EASEMENTS OF RECORD, ENCUMBRANCES, RESTRICTIVE COVENANTS, OWNERSHIP TITLE EVIDENCE, OR ANY OTHER FACTS THAT AN ACCURATE AND CURRENT TITLE SEARCH MAY DISCLOSE.

D. THIS TOPOGRAPHIC SURVEY WAS PREPARED WITHOUT BENEFIT OF TITLE REPORT.

BENCHMARK: FD SSMH ALONG EUCLID COURT. (ASSUMED ELEVATION = 100.00')

LEGAL DESCRIPTION:

LOT "S" OF BLOCK 136 OF MAP OF THE TOWN OF SANTA MONICA, IN THE CITY OF SANTA MONICA, COUNTY OF LOS ANGELES, STATE OF CALIFORNIA, AS PER MAP RECORDED IN M.B. 39, PAGES 45-51 OF M.R.

BASIS OF BEARING:

THE BEARINGS SHOWN HEREON ARE BASED ON THE BEARING N44°45'00"W IN THE CENTERLINE OF EUCLID STREET AS SHOWN ON THE MAP OF TRACT 33759, M.B. 900, PAGE 75.

DATE OF SURVEY:

11-13-04

SITE ADDRESS:

1327 EUCLID STREET
SANTA MONICA, CA 90404

THIS IS NOT A BOUNDARY SURVEY ALL BEARINGS AND DISTANCES SHOWN ARE BASED ON RECORD MAPS.

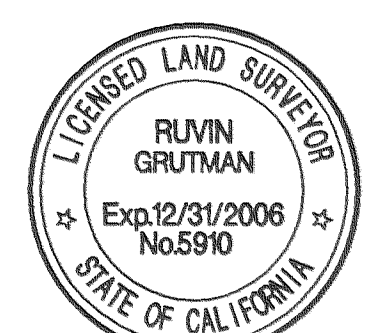
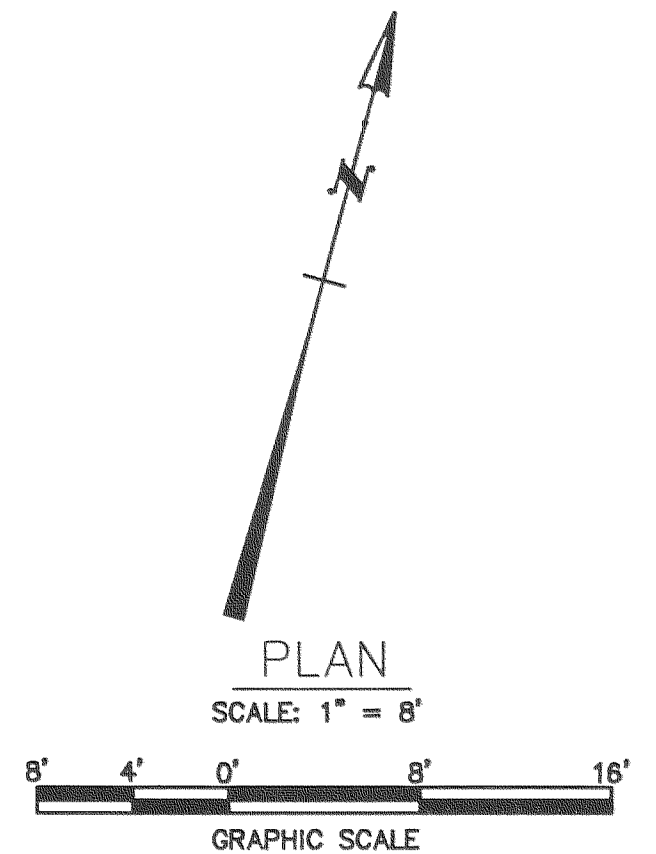
COPIES OF THIS PLAN WITHOUT ORIGINAL SIGNATURE AND WITHOUT WET SEAL ARE NOT VALID.

ARIZONA BLVD.
N 45°17'43" E 199.89'

EXISTING BLDG.
LOT "S" OF BLOCK 136
OF MAP OF THE TOWN
OF SANTA MONICA
M.B. 39 P.G. 45-51

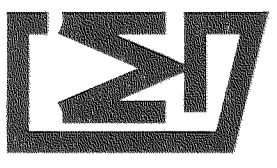
SANTA MONICA BLVD.

EUCLID STREET



PREPARED UNDER THE DIRECTION OF:
Ruvin Grutman 11/13/04
RUVIN GRUTMAN, RCE 41480, LS 5910

GM surveying, Inc.
14550 HAYNES ST., SUITE 100, VAN NUYS, CA. 91411
Tel. (818) 832-9497 Fax (818) 832-9443 gms@gmurveying.com



NO.	REVISIONS	ENGR.	DATE	DATE

PREPARED EXCLUSIVELY FOR:
HOSSEIN ASHTIANI

SHEET TITLE:
TOPOGRAPHIC SURVEY

SHEET NO.
1
OF **1** SHEETS
JOB NO.
50570700